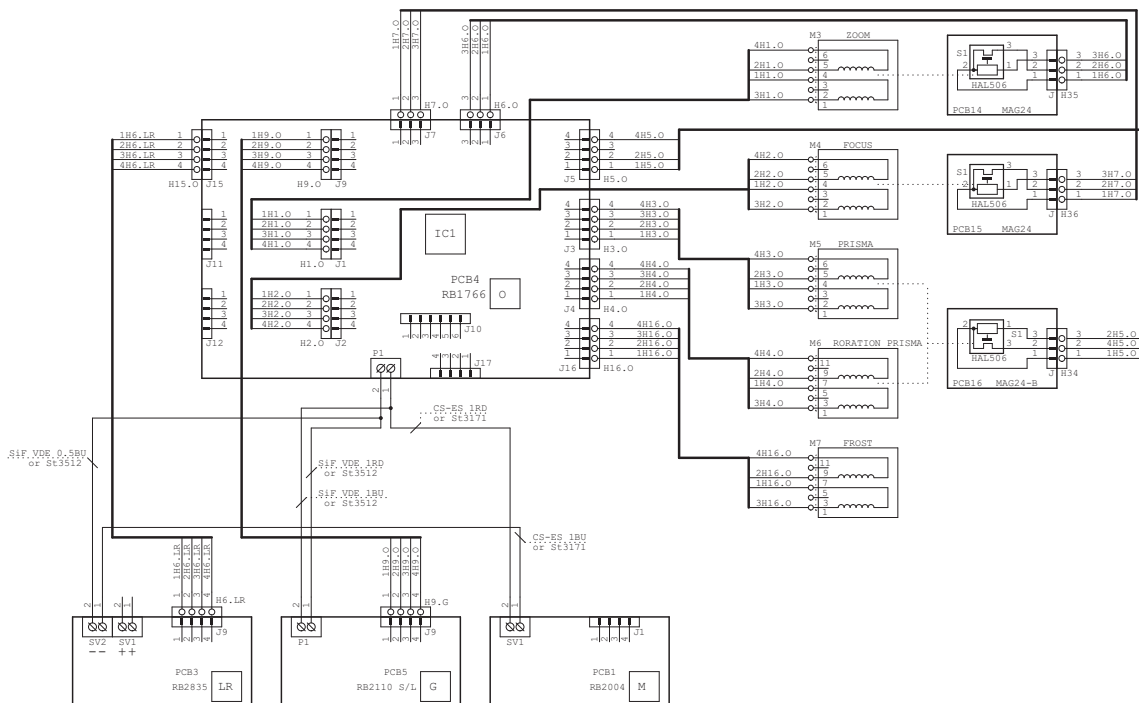
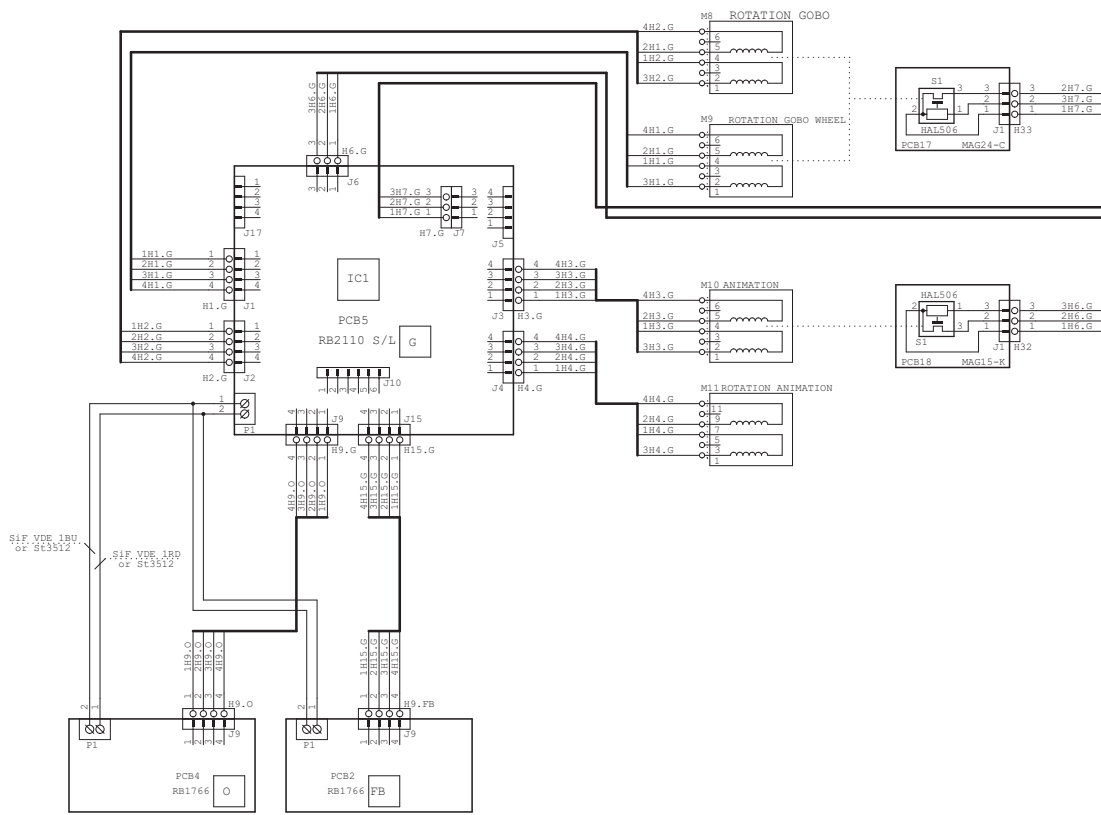


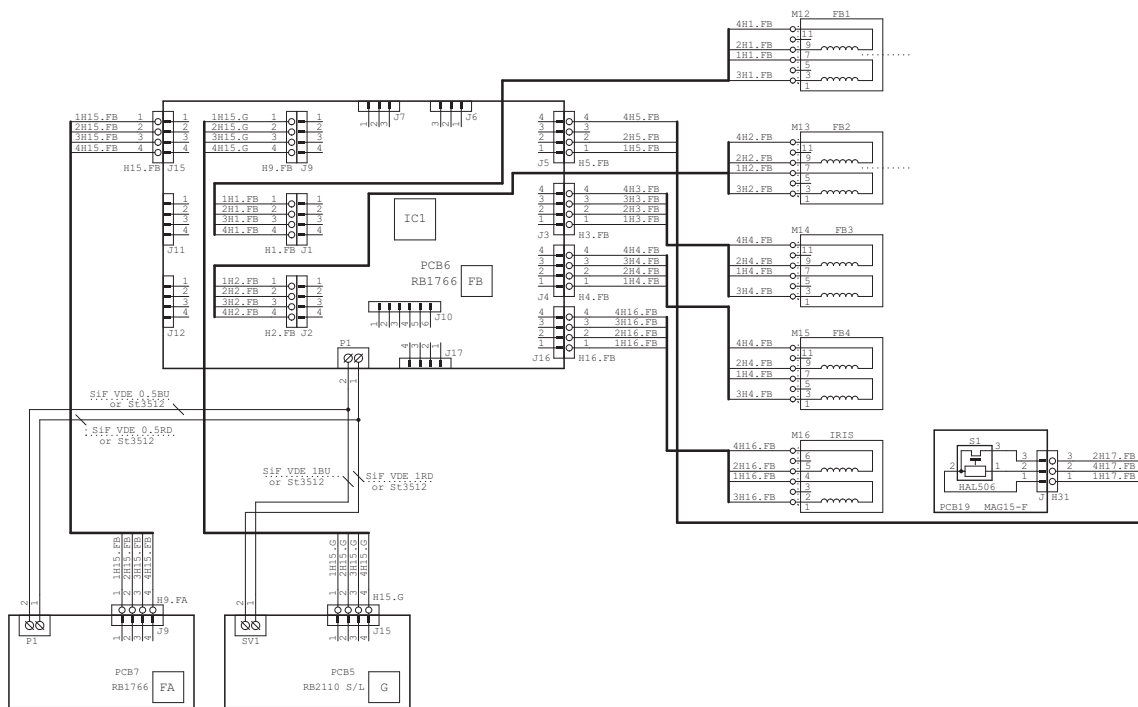
PRODUCT: Robin DLS Profile		
TITLE: WIRING DIAGRAM		
DOCUMENT: LED Section E2 V 1.2		
VERSION: 1	DATE: 13.03.2013	SHEET: 03 OF 13



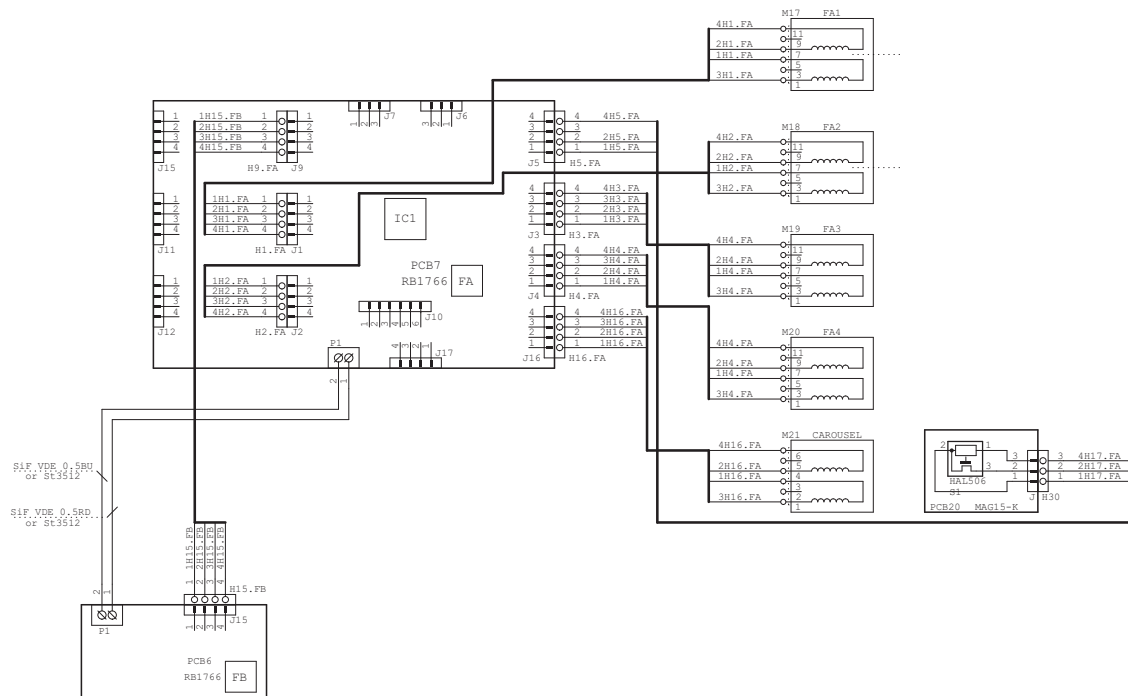
PRODUCT: Robin DLS Profile		
TITLE: WIRING DIAGRAM		
DOCUMENT: Zoom Section E3 V 1.2		
VERSION: 1	DATE: 13.03.2013	SHEET: 04 OF 13



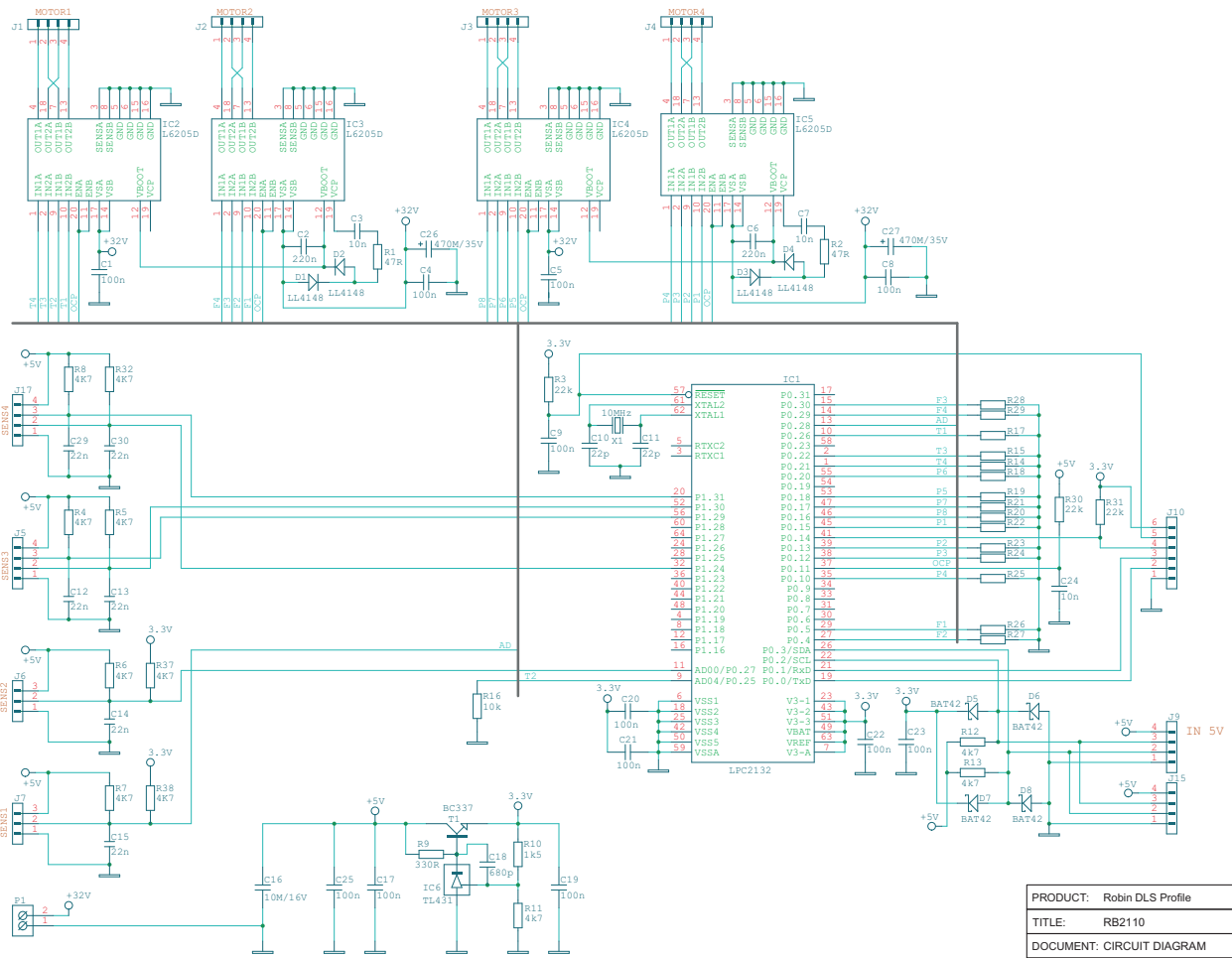
PRODUCT: Robin DLS Profile		
TITLE: WIRING DIAGRAM		
DOCUMENT: Gobo Section E4 V 1.2		
VERSION: 1	DATE: 13.03.2013	SHEET: 05 OF 13



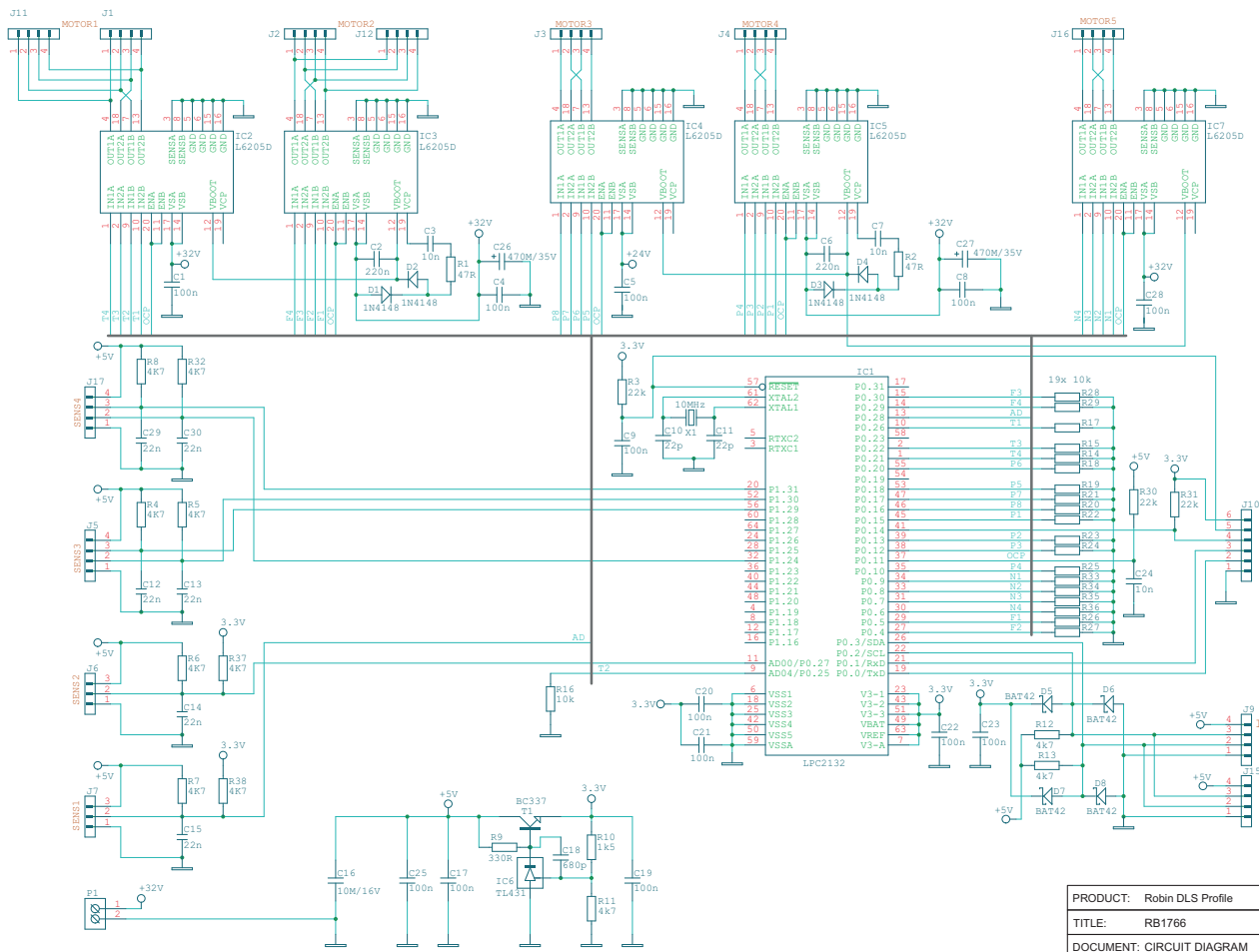
PRODUCT: Robin DLS Profile		
TITLE: WIRING DIAGRAM		
DOCUMENT: Framing shutters Section-B E5 V 1.2		
VERSION: 1	DATE: 13.03.2013	SHEET: 06 OF 13



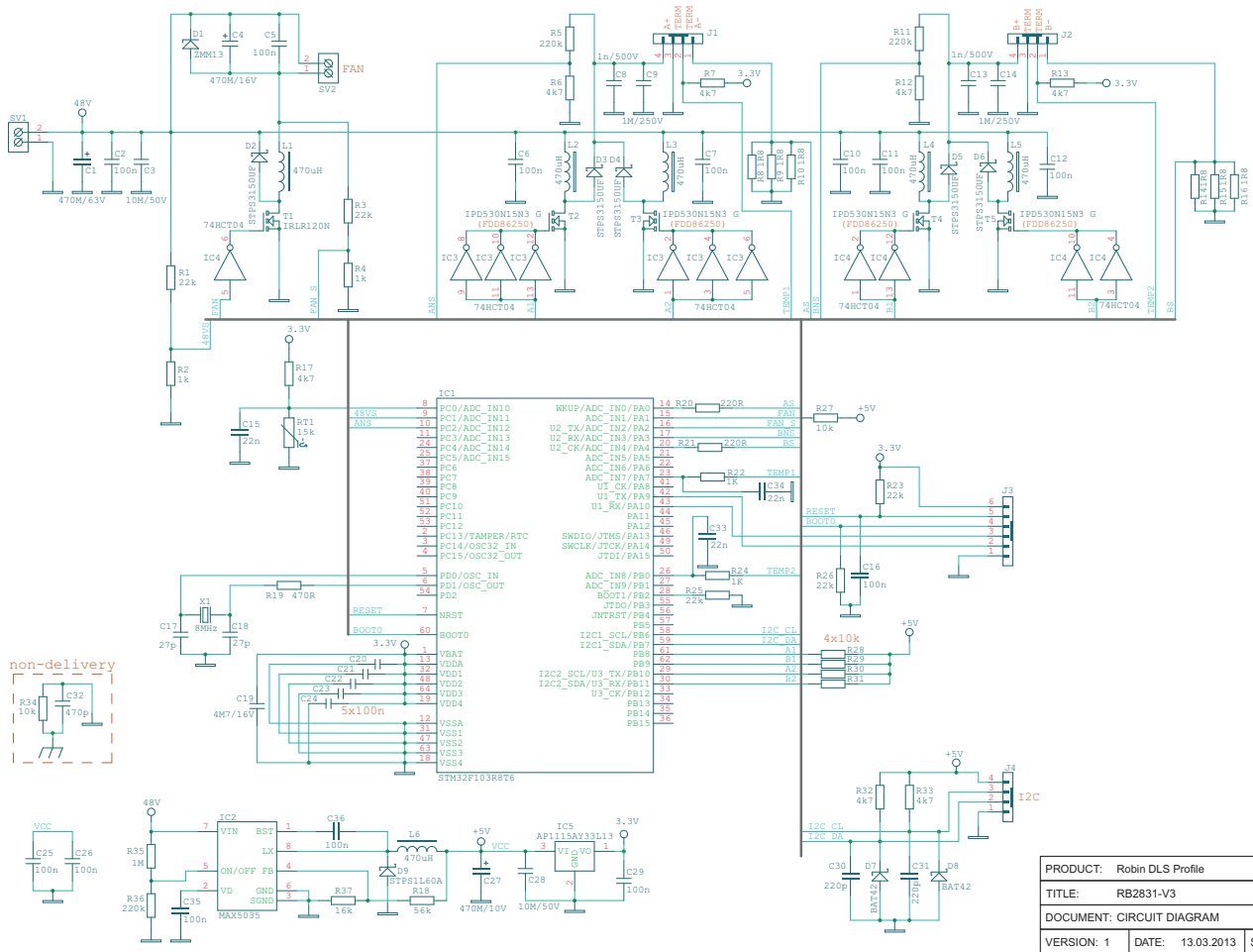
PRODUCT: Robin DLS Profile		
TITLE: WIRING DIAGRAM		
DOCUMENT: Framing shutters Section-A E6 V 1.2		
VERSION: 1	DATE: 13.03.2013	SHEET: 07 OF 13

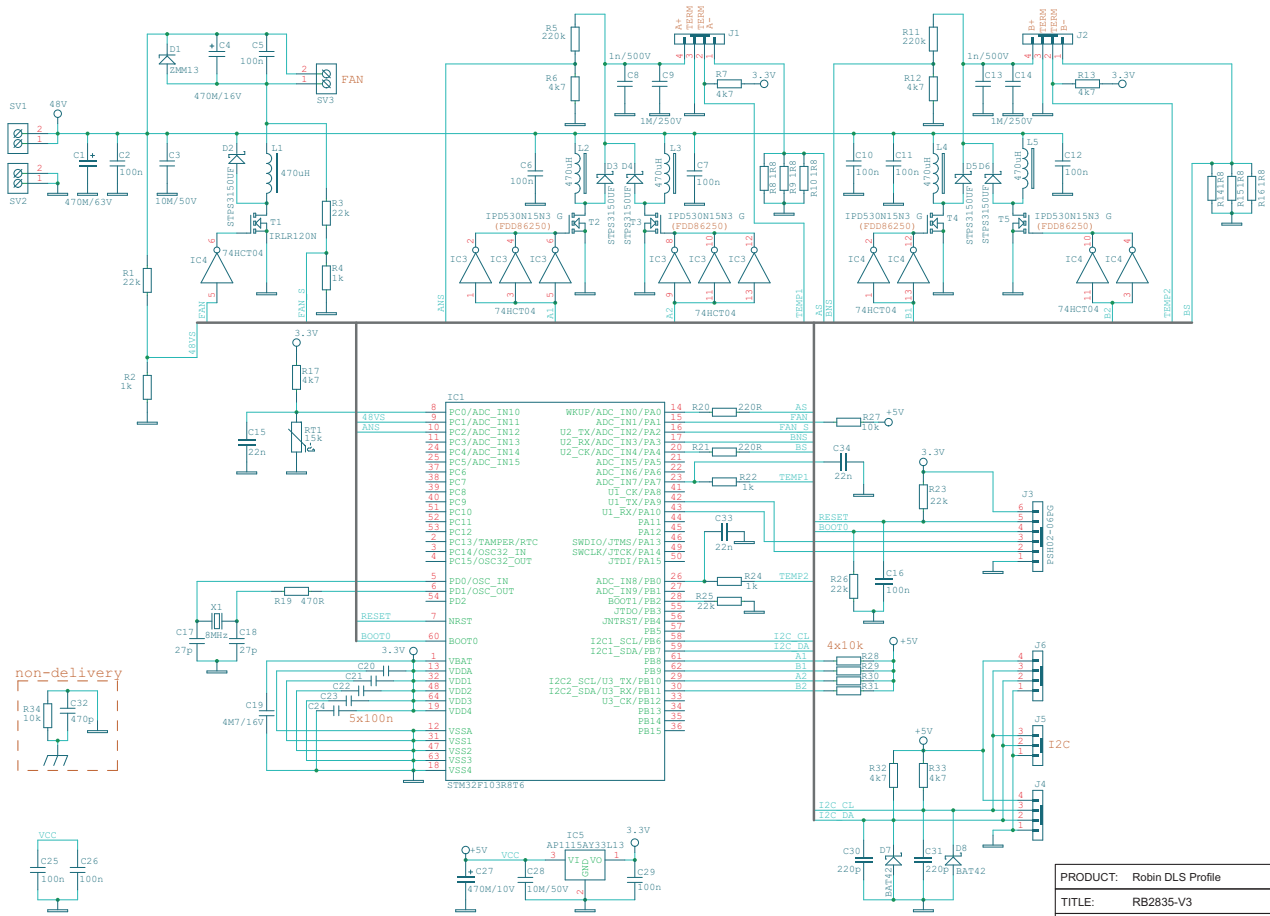


PRODUCT:	Robin DLS Profile		
TITLE:	RB2110		
DOCUMENT:	CIRCUIT DIAGRAM		
VERSION:	1	DATE:	13.03.2013
		SHEET:	08 OF 13

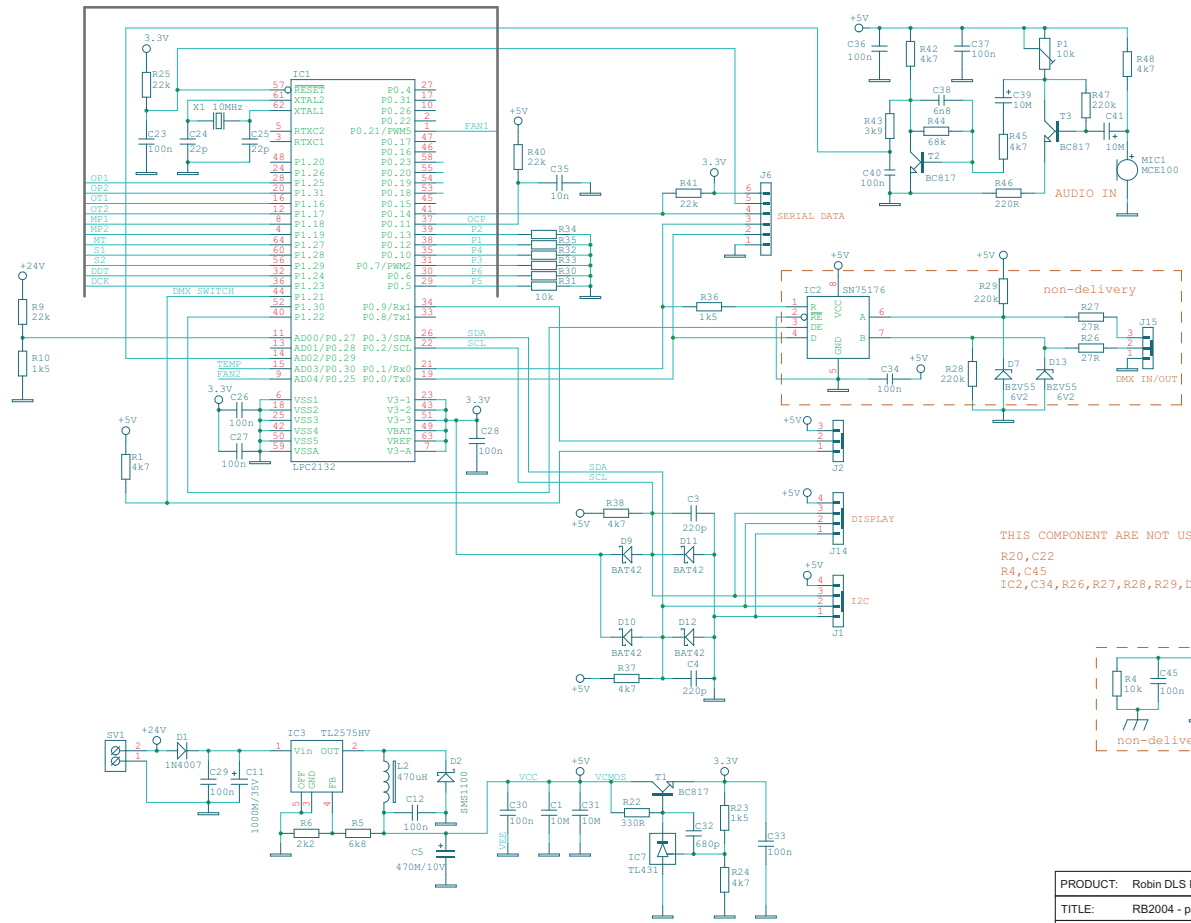


PRODUCT:	Robin DLS Profile		
TITLE:	RB1766		
DOCUMENT:	CIRCUIT DIAGRAM		
VERSION:	1	DATE:	13.03.2013
		SHEET:	09 OF 13

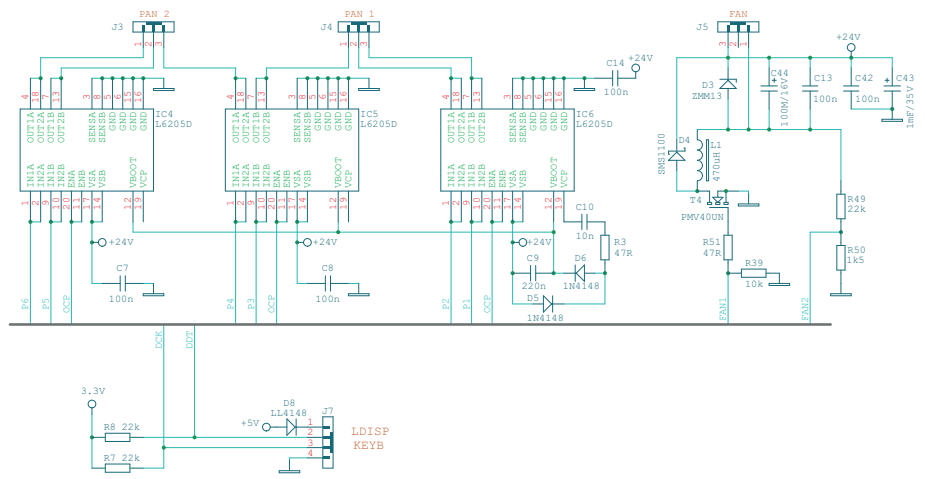
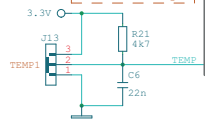
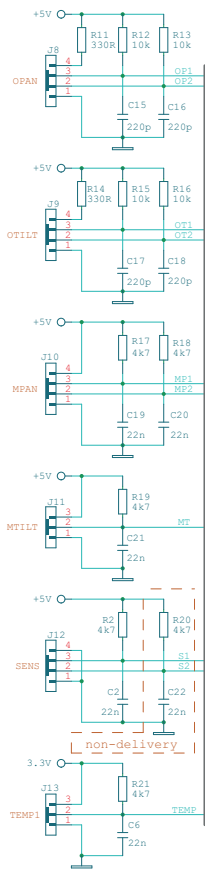




PRODUCT:	Robin DLS Profile
TITLE:	RB2835-V3
DOCUMENT:	CIRCUIT DIAGRAM
VERSION:	1
DATE:	13.03.2013
SHEET:	11 OF 13



PRODUCT:	Robin DLS Profile
TITLE:	RB2004 - part 1
DOCUMENT:	CIRCUIT DIAGRAM
VERSION:	1
DATE:	13.03.2013
SHEET:	12 OF 13



PRODUCT: Robin DLS Profile		
TITLE: RB2004 - part 2		
DOCUMENT: CIRCUIT DIAGRAM		
VERSION: 1	DATE: 13.03.2013	SHEET: 13 OF 13